

SEAHAWK®

OMNI500

OMNI800

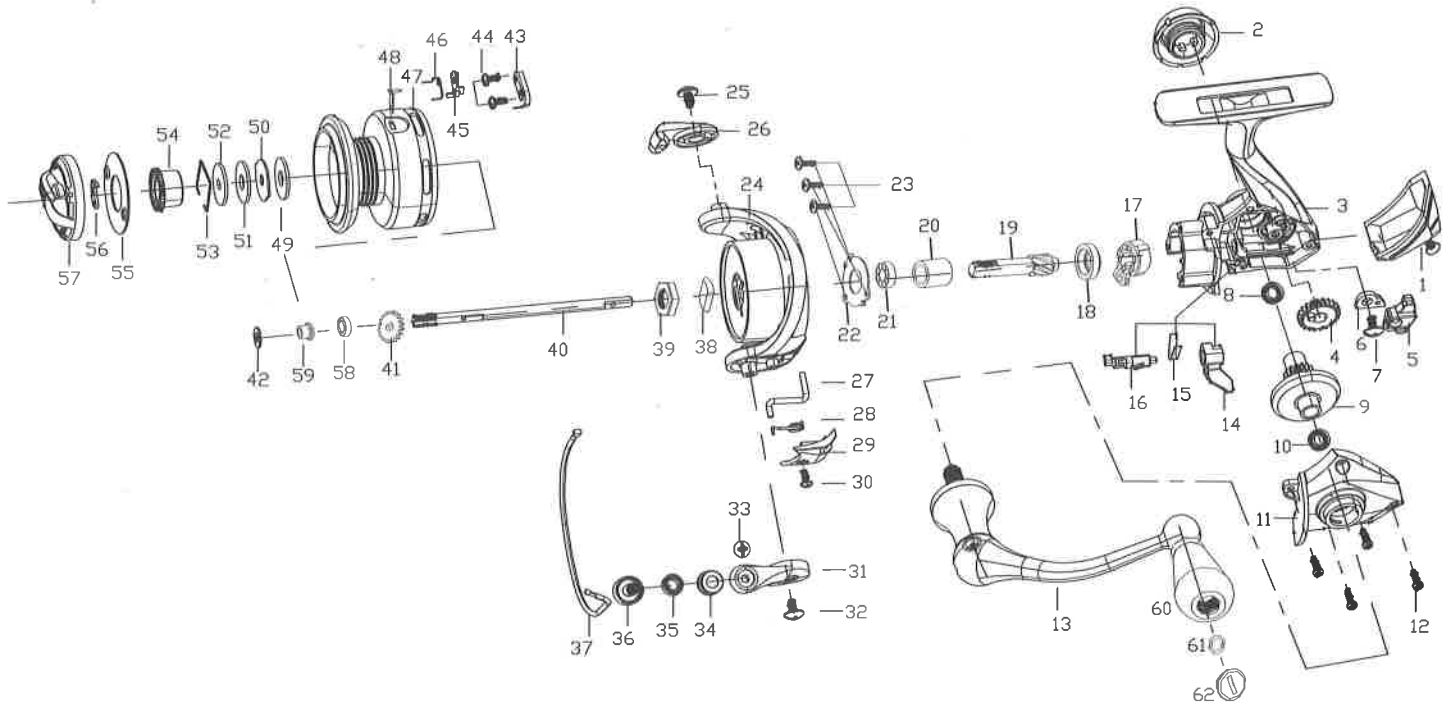
ALUMINIUM  SPOOL

6 BALL BEARINGS

ONE WAY CLUTCH BEARINGS

AIR THICK BAIL

TRU-SMOOTH SYSTEM



1. Rear cover
2. Handle knob cover
3. Frame
4. Driver gear
5. Slider
6. Slider cover
7. Slider cover screw
8. Frame bearing
9. Main gear
10. Main cover bearing
11. Main cover
12. Main cover screw
13. CNC Metal CNC Handle
14. Switch
15. Anti-reverse shaft spring
16. Anti-reverse shaft
17. One-way bearing
18. Bearing sheath
19. Pinion gear
20. One-way sleeve
21. Pinion gear bearing
22. Bearing retainer plate

23. Bearing plate screw
24. Rotor
25. Bail arm screw
26. Bail holder
27. Bail spring link
28. Spring
29. Side cover
30. Side cover screw
31. Bail arm lever
32. Bail arm lever screw
33. Bail spring cover screw
34. Line roller
35. Line roller bearing
36. Line slider
37. Bail arm
38. Quadrangle washer
39. Hexagon nut
40. Spool shaft
41. Pawl gear
42. Red paper washer
43. Spool click base

44. Spool click base screw
45. Spool click pawl
46. Spool click spring
47. Spool
48. Line lock
49. Spool brake washer
50. Spool Ear type washer
51. Spool brake washer
52. Spool washer
53. Spool circlip
54. Drag knob click cam
55. Drag knob rainer palte
56. Drag knob plastic click
57. Drag knob plastic piece
58. Main shaft bearing
59. Main shaft Retainer
60. Cork handle knob
61. Washer
62. Handle knob screw cap